

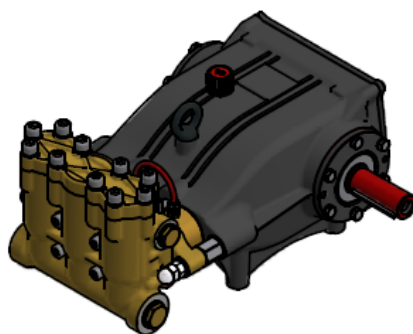
# MPX

Caratteristiche Tecniche

500 bar

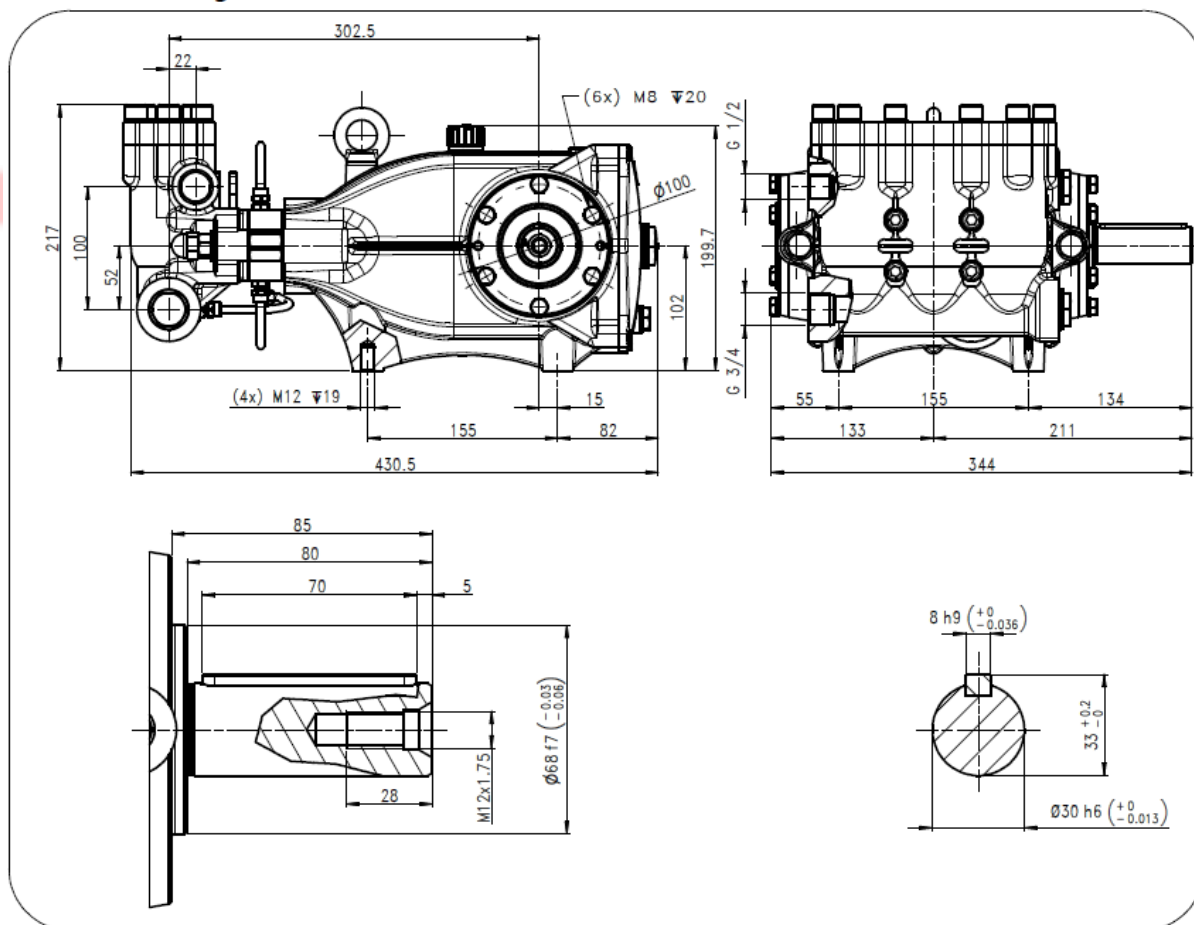
Technical Characteristics

Pump Pompa	Pressure Pressione		Volume Portata				RPM giri/min		Power Potenza			
			l/min		GPM				HP		kW	
	bar	PSI	50 Hz	60 Hz	50 Hz	60 Hz	50 Hz	60 Hz	50 Hz	60 Hz	50 Hz	60 Hz
MPX2550	500	7250	25	30	6.7	8	1450	1740	32.3	38.8	23.8	28.6
MPX3050	500	7250	30	36	8	9.6	1450	1740	38.7	46.5	28.5	34.2



Dimensioni d'ingombro

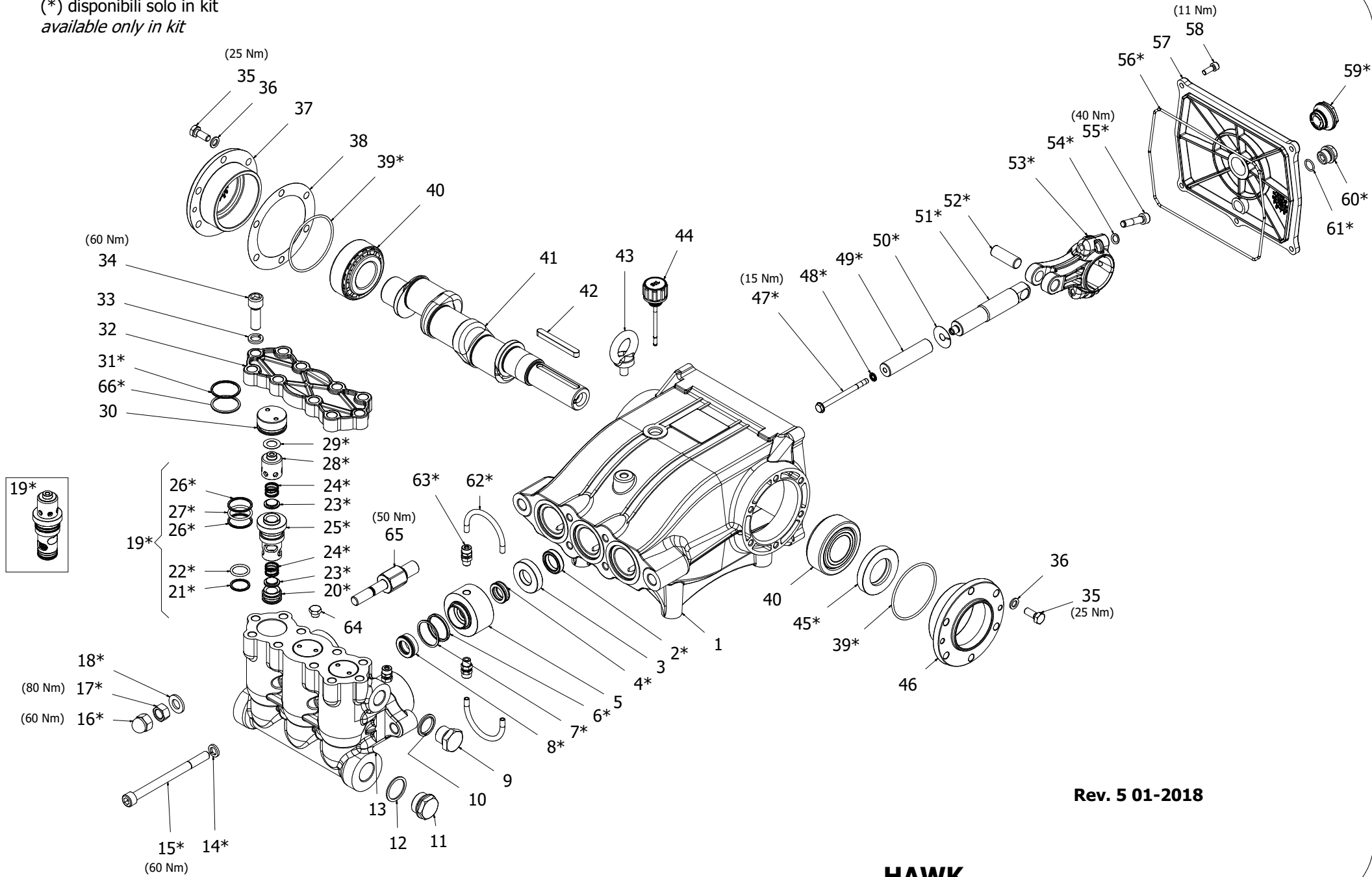
Overall dimensions



Lubrificazione: Olio SAE 10W40  
Capacità: 2.3 Litri  
Peso pompa: 34.5 kg

Lubrication: SAE 10W40 Oil  
Capacity: 2.3 Litres  
Weight: 34.5 kg

(\* ) disponibili solo in kit  
*available only in kit*



Rev. 5 01-2018

**HAWK**  
**serie MPX**  
**MPX series**

## MPX SERIES 2015

### ORDINARY MAINTENANCE KIT / KIT MANUTENZIONE ORDINARIA

KIT	Item Pos	Part Number Codice	Description	Descrizione	Q.TY per pump - Q.TÀ per pompa	MPX3050	MPX2550
A	4-6-7-8	1.904-450.0	PISTON SEAL PACKING Ø18	GUARNIZIONI PISTONE Ø18	1		
B	19 (20-21-22-23 24-25-26-27-28 29) 66-31	1.904-453.0	COMPLETE VALVE	VALVOLE COMPLETE	1	•	•

### EXTRAORDINARY MAINTENANCE KIT / KIT MANUTENZIONE STRAORDINARIA

KIT	Item Pos	Part Number Codice	Description	Descrizione	Q.TY per pump - Q.TÀ per pompa	MPX3050	MPX2550
C	2	1.099-766.0	PLUNGER OIL SEALS	TENUTE OLIO ASTA PISTONE	1		
D	47-48-49-50	1.904-452.0	PLUNGER Ø18	PISTONE Ø18	3		
E	39-45-56-59-60 61	1.099-805.0	KIT CRANCKASE SEALS	KIT TENUTE CARTER	1	•	•
F	14-15-16-17-18	1.904-451.0	MANIFOLD SCREWS	VITI TESTATA	1		
G	51-52-53-54-55	1.904-428.0	PLUNGER ROD-CONNECTING ROD	ASTA PISTONE-BIELLA	3		
H	62-63	1.904-456.0	COMPLETE CIRCULATION PIPES	TUBI RICIRCOLO	1		

“Q.TY by Pump” => Necessary quantity to repair one pump  
 “Q.TA’ per Pompa” => Quantità necessaria per riparare una pompa

Part number Codice	Description	Descrizione
1.099-669.0	TOOL KIT	TOOL KIT
1.904-418.0	TOOL KIT EXTRAORDINARY	TOOL KIT STRAORDINARIA

### IMPORTANT IMPORTANTE

\* Part available ONLY in kit  
 Disponibile SOLO in kit

(...) Parts pre-assembled  
 Parti pre-assemblate

### PARTS LIST LISTA PARTI

Item Pos	Part Number Codice	Description	Descrizione	KIT	Q.TY Q.TÀ	MPX2550	MPX3050
1	9.850-373.0	CARTER	CARTER		1		
2*		PLUNGER OIL SEAL	ANELLO RADIALE	C	3		
3	9.851-059.0	SUPPORT RING	PRESSORE		3		
4*		"U" SEAL	GUARN. "U"	A	3		
5	9.850-542.0	INTERMED. RING	DIFFUSORE		3		
6*		BACK RING	ANELLO ANTIESTR.	A	3		
7*		O-RING	O-RING	A	3		
8*		"U" SEAL	GUARN. "U"	A	3		
9	9.851-328.0	PLUG G1/2"	TAPPO G1/2"		1		
10	9.851-189.0	SEAL WASHER G1/2"	GUARNIZIONE G1/2"		1		
11	9.851-313.0	BRASS PLUG G3/4"	TAPPO G3/4"		1		
12	9.850-751.0	COPPER SPACER G3/4"	GUARNIZIONE G3/4"		1		
13	9.851-406.0	MANIFOLD HOUSING	TESTATA OTTONE		1		
14*		SPRING WASHER	ROSETTA ELAST.	F	4		
15*		MANIFOLD HOUSING SCREW	VTCEI M10 x 130 ISO 4762-p	F	4		
16*		NUT CAP	DADO	F	2		
17*		NUT	DADO M12 UNI5588	F	2		
18*		WASHER	ROSETTA	F	2		
19*		VALVE ASSEMBLY	VALVOLA PREMONTATA	B	3	•	•
20*		VALVE SEAT	SEDE VAM	B	3		
21*		BACK RING	ANELLO ANTIESTR.	B	3		
22*		O-RING	O-RING	B	3		
23*		VALVE PLATE	PIATTELLO VAM	B	6		
24*		VALVE SPRING	MOLLA VAM	B	6		
25*		VALVE CAGE	GABBIA VAM IMPILATA	B	3		
26*		BACK RING	ANELLO ANTIESTR.	B	6		
27*		O-RING	O-RING	B	3		
28*		VALVE CAGE	GABBIA VAM	B	3		
29*		COPPER WASHER	ROSETTA RAME	B	3		
30	9.851-354.0	VALVE SPACER CAP	DISTANZIALE TAPPO VAM		3		
31*		BACK RING	ANELLO ANTIESTR.	B	3		
32	9.850-394.0	MANIFOLD HOUSING COVER	COPERCHIO TESTATA		1		
33	9.851-159.0	WASHER	ROSETTA		10		
34	9.851-495.0	COVER SCREW	VITE COPERCHIO TESTATA		10		
35	9.851-503.0	BEARING HOUSING SCREW	VITE FLANGIA CUSCINETTI		12		
36	9.851-114.0	WASHER	ROSETTA M8 UNI 6592V		12		
37	9.850-641.0	BEARING HOUSING	FLANGIA CHIUSA		1		

Item Pos	Part Number Codice	Description	Descrizione	KIT	Q.TY Q.TÀ	MPX2550	MPX3050
38	9.850-556.0	SHIM 0,1mm	DISTANZIALE FLANGIA 0,1mm		1	•	•
	9.850-557.0	SHIM 0,05mm	DISTANZIALE FLANGIA 0,05mm		1		
39*		O-RING	O-RING	E	2		
40	9.851-963.0	ROLLER BEARING	CUSCINETTO		2		
41	9.850-231.0	CRANKSHAFT SPTO Ø30	ALBERO SPTO Ø30		1		•
	9.850-232.0	CRANKSHAFT SPTO Ø30	ALBERO SPTO Ø30		1	•	
42	9.850-450.0	CRANKSHAFT KEY	LINGUETTA		1		
43	9.851-457.0	EYEBOLT	GOLFARE		1		
44	9.851-287.0	OIL DIP STICK	TAPPO SFIATO OLIO		1		
45*		PLUNGER OIL SEAL	ANELLO RADIALE	E	1		
46	9.850-642.0	BEARING HOUSING	FLANGIA APERTA		1		
47*		PLUNGER INOX SCREW	VITE INOX PISTONE	D	3		
48*		BONDED SEAL	BONDED SEAL	D	3		
49*		PLUNGER	PISTONE	D	3		
50*		COPPER SPACER	ROSETTA PISTONE	D	3		
51*		PLUNGER ROD	ASTA GUIDA PISTONE	G	3		
52*		CONNECTING ROD PIN	SPINOTTO	G	3		
53*		CONNECTING ROD	BIELLA	G	3		
54*		SCHNORR WASHER	ROSETTA SCHNORR	G	6	•	•
55*		CONNECTING ROD SCREW	VITE BIELLA	G	6		
56*		O-RING	O-RING	E	1		
57	9.850-393.0	CRANKCASE COVER	COPERCHIO POSTERIORE		1		
58	9.851-474.0	COVER SCREW	VITE COPERCHIO		5		
59*		SIGHT GLASS G 3/4"	SPIA LIVELLO OLIO G3/4	E	1		
60*		BRASS PLUG G3/8"	TAPPO G3/8"	E	1		
61*		O-RING	O-RING	E	1		
62*		RED PIPE	TUBO ROSSO	H	4		
63*		FITTING	RACCORDO	H	6		
64	9.851-353.0	CUP	TAPPO		1		
65	9.850-555.0	MANIFOLD HOUSING SPACER	TIRANTE TESTATA		2		
66*		O-RING	O-RING	B	3		